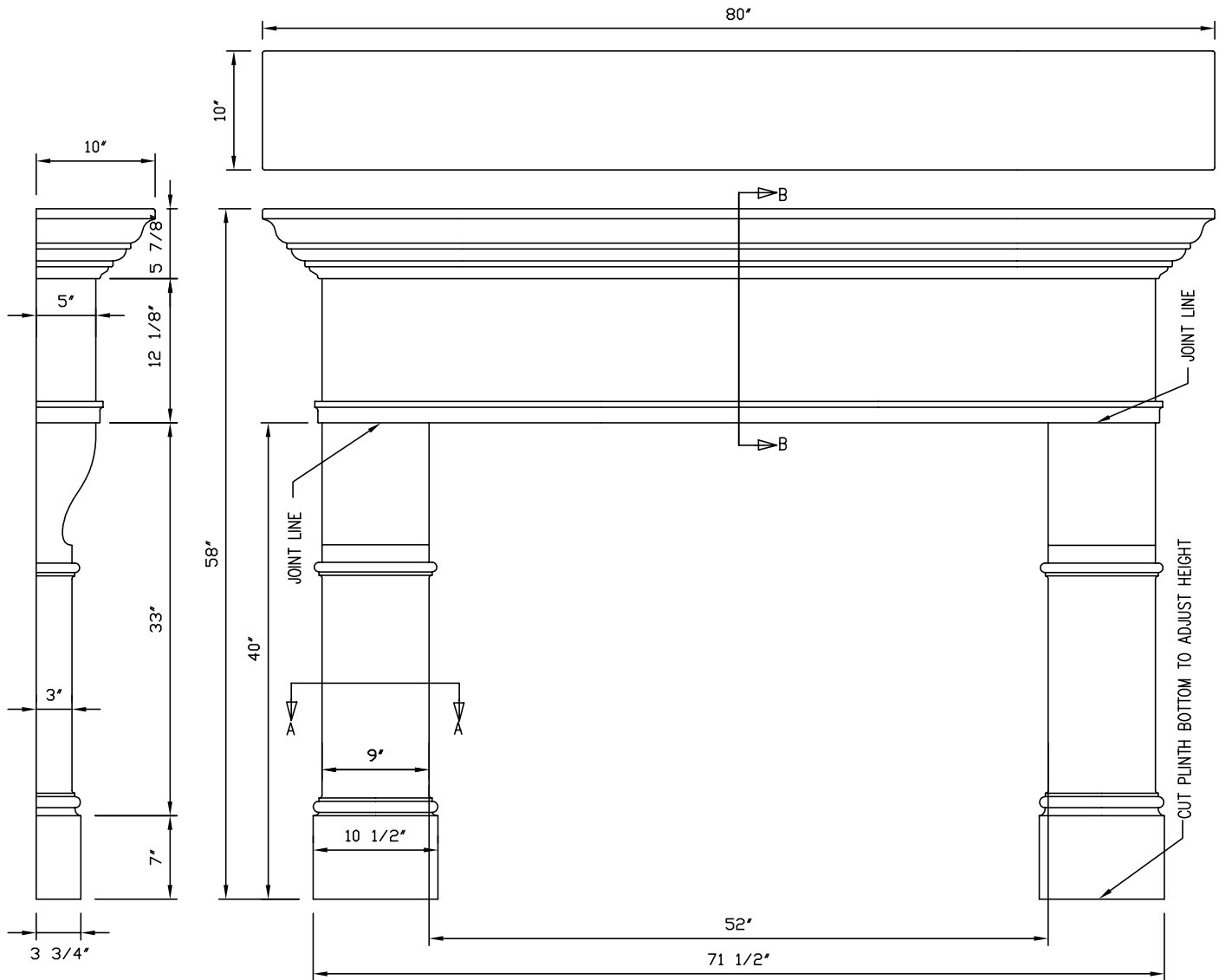


# Edinburgh 4116 Noncombustible Fireplace Mantel Fact Sheet

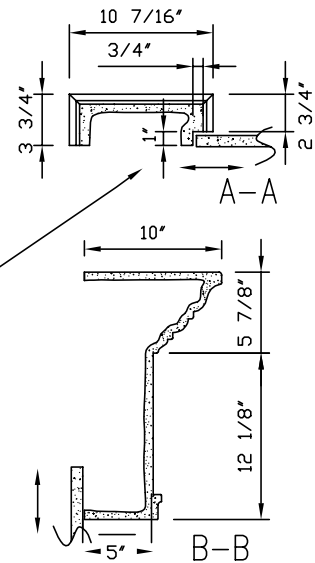


## FEATURES AND SPECIFICATIONS

Material meets the requirements for non-combustibility in accordance with ASTM E-136

- High definition, crisp details
- Adjustable height
- Fast, easy installation
- Glass fibre reinforced gypsum cement
- White unprimed finish
- Ready to prime and paint
- Supplied in 3 pieces

- Net weights:
  - Complete mantel: 180 lbs
  - Mantel top: 120 lbs
  - Each mantel leg: 30 lbs
- Crated weight: 240 lbs
- 3/4" wide X 1" deep rabbet to accommodate a marble, stone or other noncombustible filler panel material insert (not supplied with mantel)



All dimensions & weights are approximate